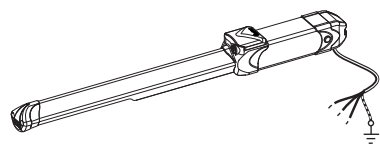


C (real stroke)	L	L0	L1
145	830	605	750
275	1.094	732	1.007



**HINDI 880** is an electro-hydraulic gate operator incorporating all-in-one the electric motor, the pump and the oil distributing valve assembly allowing the shaft to move in and out. Fully weather-proof for external applications, it can be easily fixed to the gate and gate post by means of two brackets and bolts. Right in the middle of the actuator it is fitted the valve block, suitably protected inside a security enclosure. It includes the pressure control valves (open and close valves, by-pass valve for manual release and oil bleed). The actuator is fitted with a double locking device, incorporated in the valve block, by means of which the piston and therefore the gate/s can be firmly locked in the open or closed gate positions. The locking device becomes operative when the electric motor is stopped. In case of power failure, it is possible to operate the gates by hand by first releasing the hydraulic circuit through the by-pass valve located in the valve assembly, under the cover. The piston shaft, made of chromium-plated steel, is extremely resistant to any weather conditions, and has an adjustable ball bearing joint for front fixing to prevent friction and wear over the time. The back casting closes the oil reservoir section and is fitted with a fork for rear gate fixing. This ensures a very good mechanical performance being designed to bear all the oscillations generated during the movements. HINDI 880 is available in different options to meet the most various application requirements: the range includes 150, 280 and 400 mm stroke options. Non locking, locking in closed gate position and double locking versions are available on request. And last the dampening device to slow down speed on the end of the closing cycle, or on both opening and closing cycles.

HINDI 880 can be connected to an extremely reliable electronic control board type Elpro to carry out the required commands that can be given from a distance through a custom encoded radio transmitter, key switch or digital keypad; anti-crash operations are ensured by safety devices such as photocells.

Tested and certified **CE** marking and type testing according to ITT PDC No. 2392-2008.

#### TECHNICAL SPECIFICATIONS

##### OIL-HYDRAULIC OPERATOR AND HYDRAULIC PUMP

Pump flow rate (stroke 150 mm)	1,4 l/min [P5]
Pump flow rate (stroke 280 mm)	1,4 l/min [P5]
	0,85 l/min [P3]
Piston diameter	45 mm
Shaft diameter	20 mm
Working pressure	10 atm (max 35 atm)
Opening linear speed (stroke 150 mm)	~ 15 mm/s
Opening linear speed (stroke 280 mm)	~ 17 mm/s [P5]
	~ 11 mm/s [P3]
Closing linear speed (stroke 150 mm)	~ 14 mm/s
Closing linear speed (stroke 280 mm)	~ 14 mm/s [P5]
	~ 9 mm/s [P3]
Opening thrust power (stroke 150 mm)	0 ÷ 4.000 N
Opening thrust power (stroke 280 mm)	0 ÷ 4.200 N [P5]
	0 ÷ 4.700 N [P3]
Closing thrust power (stroke 150 mm)	0 ÷ 5.600 N
Closing thrust power (stroke 280 mm)	0 ÷ 5.400 N [P5]
	0 ÷ 6.300 N [P3]
Oil type	Oil Fadini - Item 708L
Working temperature	-25 °C +80 °C (*)
Protection standards	IP 67
Weight complete with accessories (stroke 150 mm)	9,5 kg
Weight complete with accessories (stroke 280 mm)	11 kg
Max. gate weight per leaf (stroke 150 mm)	300 kg
Max. gate width per leaf (stroke 150 mm)	1,5 m
Max. gate weight per leaf (stroke 280 mm)	550 kg
Max. gate width per leaf (stroke 280 mm)	2,8 m [P5] - 3,2 m [P3]
Overall dimensions stroke 150 mm (l. x w. x h.)	830x94x117mm
Overall dimensions stroke 280 mm (l. x w. x h.)	1.094x94x117mm

(\*) -40 °C with specific optional accessories (Ref. General Catalogue).

##### ELECTRIC MOTOR

Power output	0,18 kW (0,25 HP)
Supply voltage	230 Vac
Frequency	50 Hz
Absorbed current	1,2 A
Absorbed power	250 W
Motor rotation speed	1.350 rpm
Capacitor	12,5 µF
Intermittent service	S3

##### PERFORMANCE (stroke 150 mm - P3)

Frequency of use	very intensive
Service cycle	opening ~ 10 s + T.fr.
	dwell 30 s
	closing ~ 11 s + T.fr.
	dwell 40 s
Complete cycle time	~ 91 s
Complete cycles	
Opening-dwell-closing-dwell	No. 39/hour
Annual cycles (8 hours of use per day)	No. 113.880

##### PERFORMANCE (stroke 280 mm - P5)

Frequency of use	very intensive
Service cycle	opening ~ 17 s + T.fr.
	dwell 30 s
	closing ~ 21 s + T.fr.
	dwell 40 s
Complete cycle time	~ 108 s
Complete cycles	
Opening-dwell-closing-dwell	No. 33/hour
Annual cycles (8 hours of use per day)	No. 96.360

##### PERFORMANCE (stroke 280 mm - P3)

Frequency of use	very intensive
Service cycle	opening ~ 26 s + T.fr.
	dwell 30 s
	closing ~ 32 s + T.fr.
	dwell 40 s
Complete cycle time	~ 128 s
Complete cycles	
Opening-dwell-closing-dwell	No. 28/hour
Annual cycles (8 hours of use per day)	No. 81.760

NOTE: T.fr. stands for braking time, a value changing according to the setting made to the operator.

NOTE: It is always recommended to install an electric lock with gate leafs wider than 2,0 m.



**FADINI**  
the gate opener  
Made in Italy



Drwg. No. **1702**

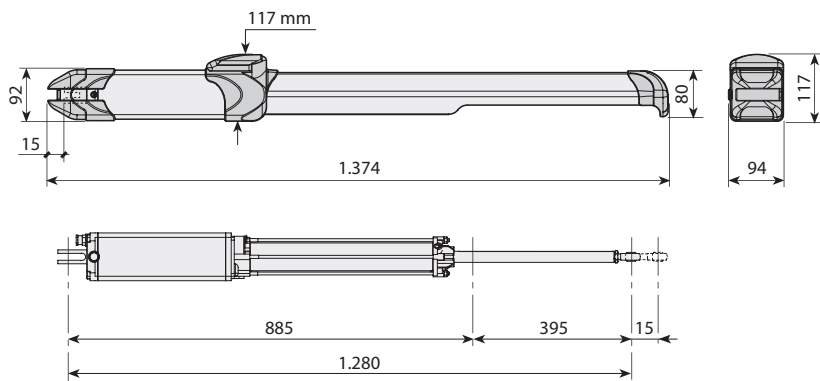
## TECHNICAL DATA TABLE

04/15

### EXTERNAL OIL-HYDRAULIC SWINGING GATE OPERATOR

**HINDI 880**  
- stroke 150 mm  
- stroke 280 mm





**HINDI 880 - 400 mm** is an electro-hydraulic gate operator incorporating all-in-one the electric motor, the pump and the oil distributing valve assembly allowing the shaft to move in and out. Fully weather-proof for external applications, it can be easily fixed to the gate and gate post by means of two brackets and bolts.

Right in the middle of the actuator it is fitted the valve block, suitably protected inside a security enclosure. It includes the pressure control valves (open and close valves, by-pass valve for manual release and oil bleed).

The actuator is fitted with a double locking device, incorporated in the valve block, by means of which the piston and therefore the gate/s can be firmly locked in the open or closed gate positions. The locking device becomes operative when the electric motor is stopped. In case of power failure, it is possible to operate the gates by hand by first releasing the hydraulic circuit through the by-pass valve located in the valve assemble, under the cover. The piston shaft, made of chromium-plated steel, is extremely resistant to any weather conditions, and has an adjustable ball bearing joint for front fixing to prevent friction and wear over the time. The back casting closes the oil reservoir section and is fitted with a fork for rear gate fixing. This ensures a very good mechanical performance being designed to bear all the oscillations generated during the movements. Non locking, locking in closed gate position and double locking versions are available on request. And last the dampening device to slow down speed on the end of the closing cycle, or on both opening and closing cycles.

HINDI 880 can be connected to an extremely reliable electronic control board type Elpro to carry out the required commands that can be given from a distance through a custom encoded radio transmitter, key switch or digital keypad; anti-crash operations are ensured by safety devices such as photocells.

Tested and certified **CE** marking and type testing according to ITT PDC No. 2392-2008.

#### TECHNICAL SPECIFICATIONS

##### OIL-HYDRAULIC OPERATOR AND HYDRAULIC PUMP

Pump Flow Rate	1,4 l/min [P5] 0,85 l/min [P3]
Piston diameter	45 mm
Shaft diameter	20 mm
Working pressure	10 atm (max 35 atm)
Opening Linear Speed	~17 mm/s [P5] ~11 mm/s [P3]
Closing Linear Speed	~14 mm/s [P5] ~9 mm/s [P3]
Opening Thrust Power	0 ÷ 4.200 N [P5] 0 ÷ 4.700 N [P3]
Closing Thrust Power	0 ÷ 5.200 N [P5] 0 ÷ 6.300 N [P3]
Oil Type	Oil Fadini - Item 708L
Working Temperature	-25°C +80°C (*)
Protection Standards	IP 67
Weight complete with accessories	14 kg
Max. gate weight per leaf	550 kg
Max. gate width per leaf	4 m [P5] - 4,5 m [P3]
Overall dimensions (length x width x height)	1.374x94x117 mm

(\*) -40 °C with specific optional accessories (Ref. General Catalogue).

##### PERFORMANCE (with P5 pump)

Frequency of use	very intensive
Service cycle	opening ~ 26 s + T.fr. dwell 40 s closing ~ 29 s + T.fr. dwell 50 s
Complete cycle time	~ 145 s
Complete cycles	
Opening-Dwell-Closing-Dwell	No. 24/hour
Annual cycles (8 hours of use per day)	No. 70.080

##### PERFORMANCE (with P3 pump)

Frequency of use	very intensive
Service cycle	opening ~ 37 s + T.fr. dwell 40 s closing ~ 45 s + T.fr. dwell 50 s
Complete cycle time	~ 172 s
Complete cycles	
Opening-Dwell-Closing-Dwell	No. 20/hour
Annual cycles (8 hours of use per day)	No. 58.400

##### ELECTRIC MOTOR

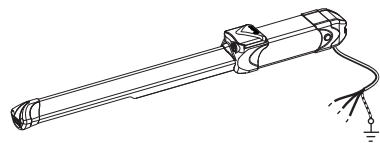
Power output	0,18 kW (0,25 HP)
Supply voltage	230 Vac
Frequency	50 Hz
Absorbed current	1,2 A
Absorbed power	250 W
Motor rotation speed	1.350 rpm
Capacitor	12,5 µF
Intermittent service	S3

NOTE: T.fr. stands for braking time, a value changing according to the setting made to the operator.

NOTE: It is always recommended to install an electric lock with gate leaves wider than 2,0 m.



FADINI  
the gate opener  
Made in Italy



Drwg. No. **4129**

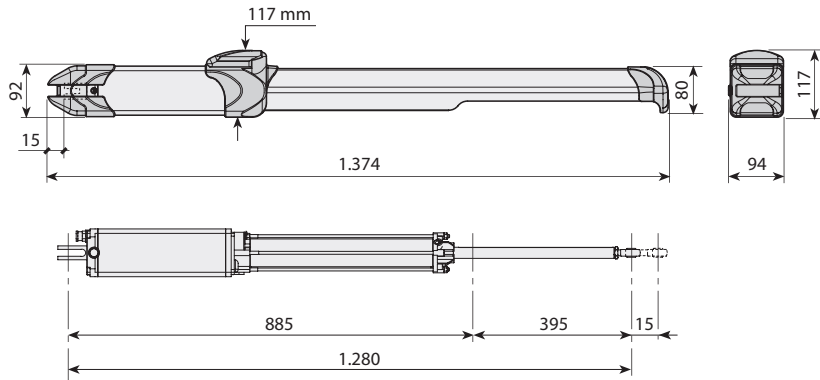
**TECHNICAL DATA TABLE**

04/15

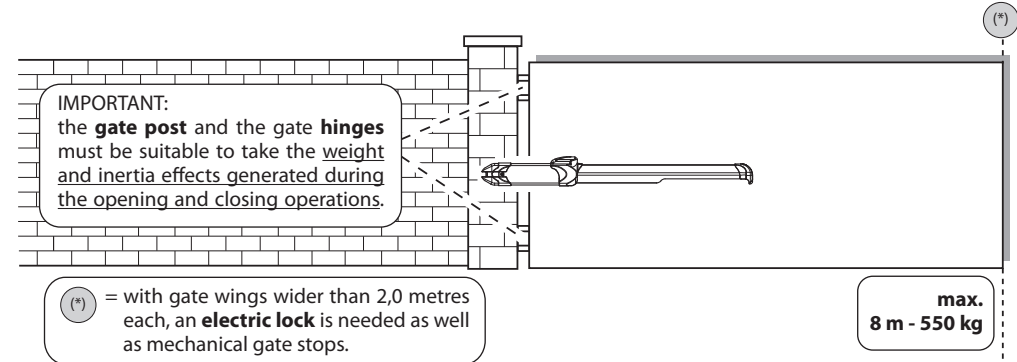
**EXTERNAL OIL-HYDRAULIC  
SWINGING GATE OPERATOR**

**HINDI 880**  
- stroke 400 mm





**HINDI 880 reversible - 400 mm:** tested and certified **CE** marking and type testing according to ITT PDC No. 2392-2008.



#### TECHNICAL SPECIFICATIONS

##### OIL-HYDRAULIC OPERATOR AND HYDRAULIC PUMP

Pump flow rate	0,85 l/min [P3]
Piston diameter	45 mm
Shaft diameter	20 mm
Working pressure	10 atm (max 35 atm)
Opening linear speed	~ 9 mm/s [P3]
Closing linear speed	~ 8 mm/s [P3]
Opening thrust power	0 ÷ 4.700 N [P3]
Closing thrust power	0 ÷ 6.300 N [P3]
Oil type	Oil Fadini - Item 708L
Working temperature	-25 °C +80 °C (*)
Protection standards	IP 67
Weight complete with accessories	14 kg
Max. gate weight per leaf	550 kg
Max. gate width per leaf	8 m
Overall dimensions (length x width x height)	1.374x94x117 mm

##### PERFORMANCE

Frequency of use	intensive
Service cycle	opening ~ 45 s + T.fr. dwell 40 s closing ~ 50 s + T.fr. dwell 50 s
Complete cycle time	~ 185 s
Complete cycles	
Opening-dwell-closing-dwell	No. 20/hour
Annual cycles (8 hours of use per day)	No. 58.400

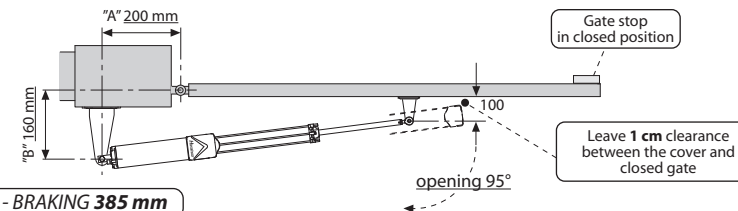
NOTE: T.fr. stands for braking time, a value changing according to the setting made to the operator.

(\*) -40 °C with specific optional accessories (Ref. General Catalogue).

##### ELECTRIC MOTOR

Power output	0,18 kW (0,25 CV)
Supply voltage	230 Vac
Frequency	50 Hz
Absorbed current	1,2 A
Absorbed power	250 W
Motor rotation speed	1.350 rpm
Capacitor	12,5 µF
Intermittent service	S3

##### Item 884N3L

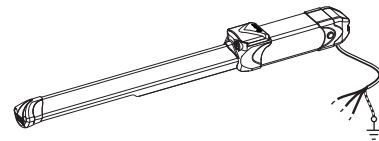


CE



**FADINI**  
the gate opener  
Made in Italy

GB



Drwg. No. **7070**

**TECHNICAL DATA TABLE**

05/15

**EXTERNAL OIL-HYDRAULIC  
SWINGING GATE OPERATOR**

**HINDI 880**  
**REVERSIBLE** - stroke 400 mm

